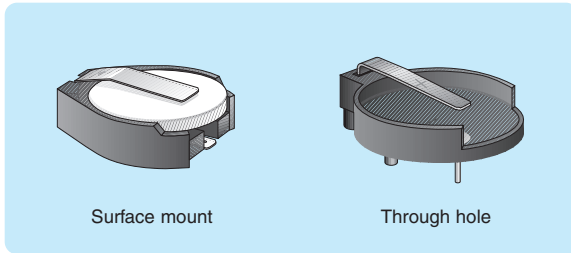


A popular range of surface mount and through hole coin cell holders from Keystone. Designed to accommodate a single cell, most holders will accept a variety of battery heights. Mouldings are flame retardant to UL94V-0 throughout.



- ◆ Surface mount & through hole
- ◆ Accept single cells of various heights
- ◆ Rugged construction
- ◆ Flame retardant mouldings
- ◆ Low Profile

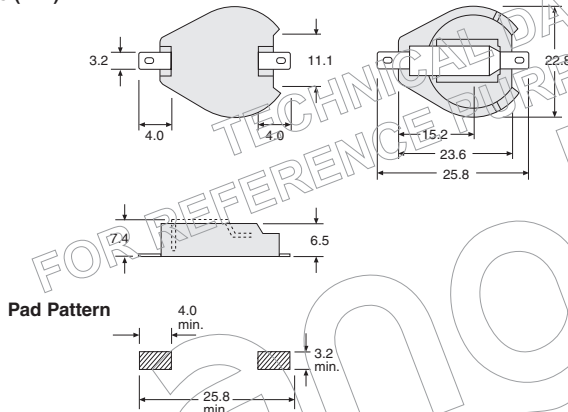
Surface Mount



Supplied taped & reeled

Battery Suitability	Manf. Part No.	anglia Order Code
CR2016, CR2020, CR2025, CR2032	1061TR	CB120

Dimensions (mm)



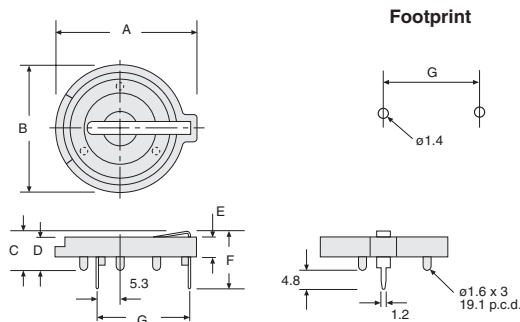
Packaging

TAPE : 44mm wide
32mm pitch
REEL : 330mm dia.

Through Hole

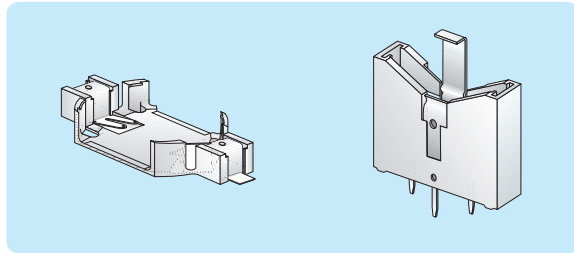
Battery Suitability	Dimensions (mm)							Manf. Part No.	anglia Order Code
	A	B	C	D	E	F	G		
CR1216, CR1220, CR1225	19.1	15.1	7.1	6.4	3.8	11.0	10.0	500	625025
CR1616, CR1620, CR1632	22.8	19.1	7.9	6.4	3.8	12.8	11.8	502	625026
CR2016, CR2020, CR2025, CR2032	28.7	22.8	8.5	7.5	5.0	13.0	20.5	103	625027
CR2430	31.0	27.8	8.5	7.5	5.0	13.0	20.5	105	625028

Dimensions (mm)



Coin Cell Holders
continued overleaf > > >

A range of high quality surface mount and through hole coin cell holders from Renata. Designed to accommodate a single cell. Mouldings flame retardant to UL94V-0 (type SMTU, HU & VBH) and UL94V-2 (type NL & NH). Through hole offers choice of horizontal or vertical mounting.



- ◆ Surface mount & through hole
- ◆ Designed for single cells
- ◆ High quality
- ◆ Flame retardant mouldings
- ◆ Orientation option on through hole

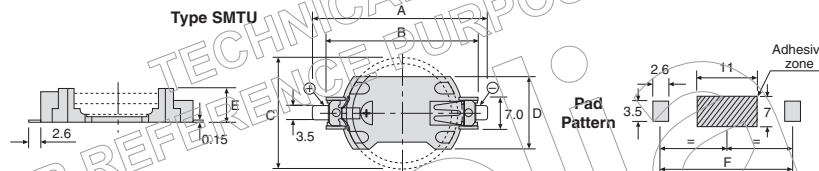
Surface Mount

SMD

Available taped and reeled to special order.

Holder Orientation	Type	Battery Suitability	Dimensions (mm)						Manf. Part No.	anglia Order Code
			A	B	C	D	E	F		
Horizontal	SMTU	CR1225	23.7	20.3	12.5	12.7	4.8	21.1	SMTU1225-1	CB125
		CR2032	32.0	28.5	20.0	16.1	5.4	29.3	SMTU2032-1	CB132
		CR2430	36.5	33.0	24.5	16.1	4.9	33.8	SMTU2430-1	CB130
		CR2450N	36.6	33.0	24.5	16.1	7.5	33.8	SMTU2450N-1	CB150
		CR2477N	36.7	33.0	24.5	16.1	10.3	33.8	SMTU2477N-1	CB177

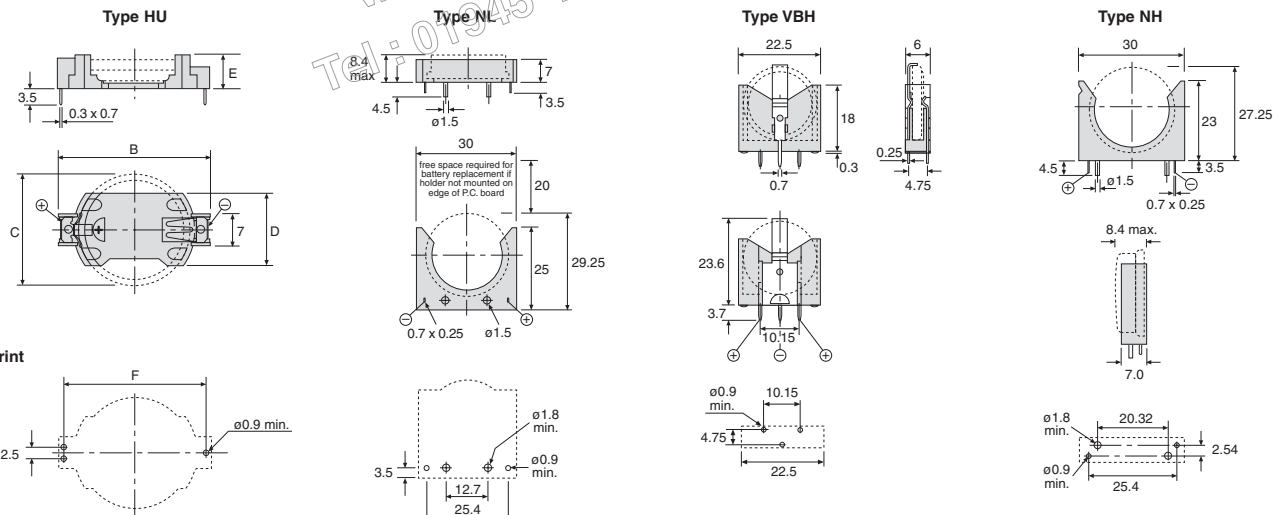
Dimensions (mm)



Through Hole

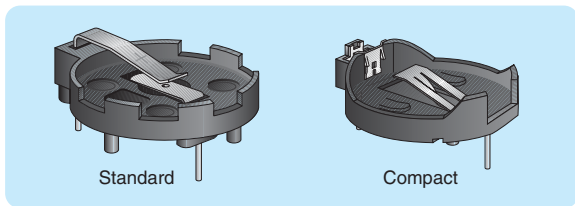
Holder Orientation	Type	Battery Suitability	Dimensions (mm)					Manf. Part No.	anglia Order Code
			B	C	D	E	F		
Horizontal	HU	CR1225	20.3	12.5	12.7	4.6	18.7	HU1225-1	625017
		CR2032	28.5	20.0	16.1	5.2	26.9	HU2032-1	625018
		CR2430	33.0	24.5	16.1	4.7	31.5	HU2430-1	625019
		CR2450N	33.0	24.5	16.1	7.3	31.5	HU2450N-1	625020
		CR2477N	33.0	24.5	16.1	10.1	31.5	HU2477N-1	625021
	NL	CR2450N/CR2477N	See Dimensional Drawing below				NL5077	625023	
Vertical	VBH	CR2032	See Dimensional Drawing below				VBH2032-1	625024	
	NH	CR2450N/CR2477N	See Dimensional Drawing below				NH5077	625022	

Dimensions (mm)





Two styles of through hole, 20mm diameter coin cell holders from Taicom. Choice of standard or compact design, both accommodating a single cell. Mouldings are flame retardant to UL94V-0.



- ◆ Through hole mounting
- ◆ Single Cell
- ◆ Standard or compact design
- ◆ Flame retardant mouldings
- ◆ Low Profile

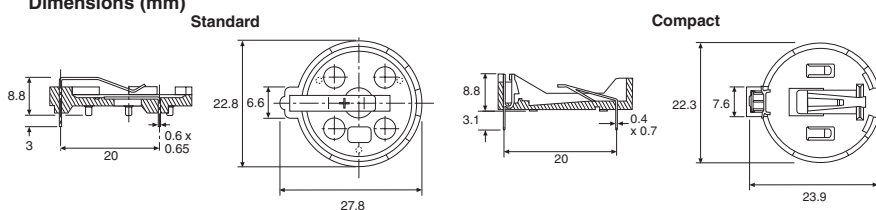
Through Hole

Style	Battery Retention	Battery Suitability	Manf. Part No. & anglia Order Code
Standard	Top spring	CR2025/CR2032	TCH20N
Compact	Snap-fit	CR2032	TCH32N

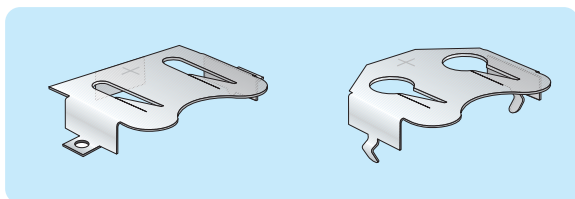
Specification

Insulator..... Black PBT
 flame retardant to UL94V-0
 Contacts Phosphor bronze
 nickel plated (standard)
 tin plated (compact)
 Current rating 3A
 Proof voltage 500Vac (standard),
 1000Vac (compact)
 Contact resistance (max.) 12mΩ (standard),
 30mΩ (compact)
 Ins. resistance (min.) 500MΩ

Dimensions (mm)



A range of surface mount and through hole coin cell retaining clips. Simple, all metal construction provides a low cost, compact holder for a single cell.



- ◆ Surface mount & through hole
- ◆ Accept single cells of various heights
- ◆ Simple, all metal construction
- ◆ Very low profile

Surface Mount



Supplied taped & reeled

Battery Suitability	Dimensions (mm)						Manf. Part No.	anglia Order Code
	A	B	C	D	E	F		
CR1216, CR1220, CR1225	13.2	7.1	18.9	3.2	3.2	1.2	3000TR	CB212
CR2016, CR2020, CR2025, CR2032	20.9	9.4	30.7	4.0	5.1	2.4	3002TR	CB220
CR2430	25.4	9.4	35.6	3.7	5.1	2.4	3006TR	CB224

Packaging

TAPE :
 33mm wide, 16mm pitch (3000TR)
 44mm wide, 24mm pitch (3002TR)
 56mm wide, 32mm pitch (3006TR)
 REEL : 330mm dia.

Through Hole

Battery Suitability	Dimensions (mm)						Manf. Part No.	anglia Order Code
	A	B	C	D	E	F		
CR1216, CR1220, CR1225	13.2	7.1	14.9	3.0	5.3	1.6	3001	625033
CR2016, CR2020, CR2025, CR2032	20.9	9.4	22.8	3.7	6.9	1.6	3003	625035
CR2430	25.4	9.4	27.1	3.7	6.5	1.6	3007	625036

Dimensions (mm)

