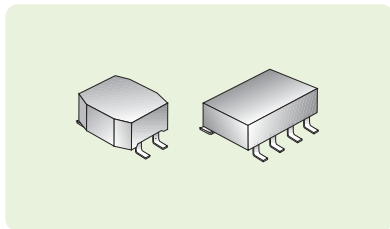




EPCOS type B82793 series

A range of surface mount current compensated ring core double and quad chokes, designed for signal and data line interference suppression. Housed in low profile cases profile cases flame retardant to UL94V-0.



- ◆ Low profile
- ◆ UL94V-0 cases
- ◆ Available in double or quad configuration
- ◆ For suppression of **asymmetrical & symmetrical interference**
- ◆ Supplied taped & reeled



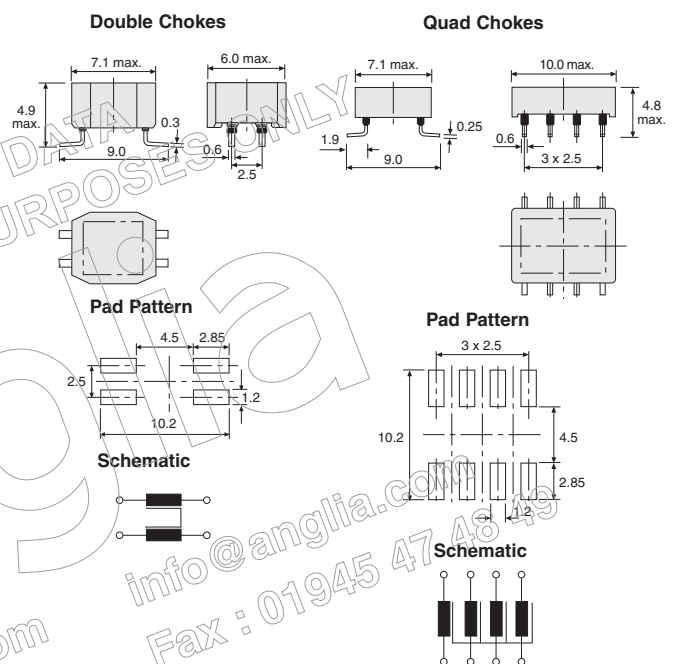
Specification

Rated voltage	42Vac, 80Vdc
Rated current	100 to 1200mA (see table)
DC resistance typ.	measured at 20°C (see table)
Climatic category (IEC60068-1)	40/125/56
Test voltage	
Double chokes	0.005 to 0.051mH - 250Vdc for 2 seconds
All others	750Vdc for 2 seconds

Packaging

TAPE : 16mm wide, 8mm pitch REEL : 330mm dia.

Dimensions (mm)



Double Chokes

Inductance (mH)	Stray Inductance typ. (nH)	Rated Current (mA)	DC Resistance typ. (mΩ)	Manf. Part No. & anglia Order Code
0.005	50	1200	100	B82793C502N201
0.011	50	800	120	B82793C113N201
0.025	1500	800	130	B82793S253N201*
0.051	2000	800	160	B82793S513N201*
0.47	200	700	200	B82793C474N215
1.0	250	700	200	B82793C105N265
2.2	250	500	400	B82793C225N265
4.7	300	400	550	B82793C475N265

* Suitable for suppression of asymmetrical and symmetrical interference

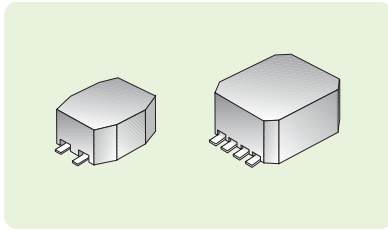
Quad Chokes

Inductance (mH)	Stray Inductance typ. (nH)	Rated Current (mA)	DC Resistance typ. (mΩ)	Manf. Part No. & anglia Order Code
0.011	50	200	0.12	B82793C2113N201
0.047	100	150	0.15	B82793C3473N201
0.47	200	100	0.35	B82793C4474N215
2.2	250	100	0.4	B82793C5225N265

EPCOS type B82790 series



A range of surface mount, current compensated ring core double and quad chokes, designed for signal and data line interference suppression. Fully encapsulated in cases flame retardant to UL94V-0.



- ◆ Fully encapsulated
- ◆ UL94V-0 cases
- ◆ Available in double or quad configuration
- ◆ For suppression of **asymmetrical & symmetrical interference**
- ◆ Supplied taped & reeled

Specification

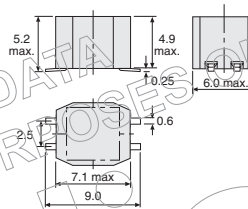
Rated voltage 42Vac, 80Vdc
 Rated current 200 to 1000mA (see table)
 DC resistance typ. measured at 20°C (see table)
 Climatic category (IEC60068-1) 40/125/56
 Test voltage
 Double chokes 0.005 to 0.051mH - 250Vdc for 2 seconds
 All others 750Vdc for 2 seconds

Packaging

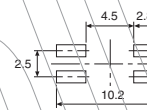
TAPE : 16mm wide, 8mm pitch REEL : 330mm dia.

Dimensions (mm)

Double Chokes



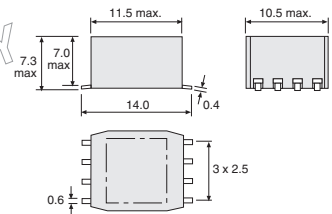
Pad Pattern



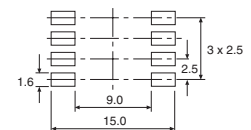
Schematic



Quad Chokes



Pad Pattern



Schematic



Double Chokes

Inductance (mH)	Stray Inductance typ. (nH)	Rated Current (mA)	DC Resistance typ. (mΩ)	Manf. Part No. & Anglia Order Code
0.005	50	1000	100	B82790C502N201
0.011	50	500	120	B82790C113N201
0.025	1500	500	130	B82790S253N201*
0.051	2000	500	160	B82790S513N201*
0.47	200	500	200	B82790C474N215
1.0	250	500	200	B82790C105N240
2.2	250	400	400	B82790C225N265
4.7	300	200	550	B82790C475N265

* Suitable for suppression of asymmetrical and symmetrical interference

Quad Chokes

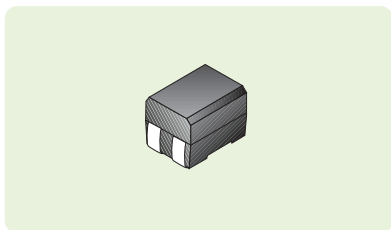
Inductance (mH)	Stray Inductance typ. (nH)	Rated Current (mA)	DC Resistance typ. (mΩ)	Manf. Part No. & Anglia Order Code
0.47	200	500	0.25	B82790C2474N315
1.0	250	500	0.25	B82790C2105N340
4.7	400	200	0.8	B82790C2475N340

Miniature Signal & Data Line Chokes shown overleaf > > >

EPCOS type B82799 series



A range of miniature surface mount current compensated ring core double chokes designed for interference suppression on CAN Bus data lines. Encapsulated in an industry standard 1812 case, flame retardant to UL94V-0.



- ◆ CAN Bus choke
- ◆ Industry standard 1812 size
- ◆ Flame retardant to UL94V-0
- ◆ For suppression of **asymmetrical & symmetrical interference**
- ◆ Supplied taped & reeled



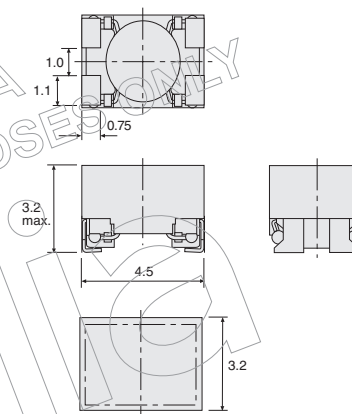
Specification

Rated voltage 42Vac, 80Vdc
 Rated current 100mA
 DC resistance typ. measured at 20°C (see table)
 Climatic category (IEC60068-1) 40/125/56
 Test voltage 250Vdc for 2 seconds

Packaging

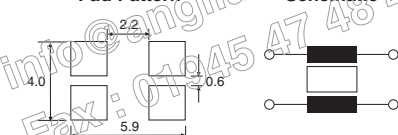
TAPE : 12mm wide, 8mm pitch REEL : 330mm dia.

Dimensions (mm)



Pad Pattern

Schematic



Inductance (mH)	Stray Inductance typ. (nH)	DC Resistance typ. (mΩ)	Manf. Part No. & anglia Order Code
11	45	150	B82799C113N1
22	1300	200	B82799S223N1*
33	1800	250	B82799S333N1*
51	2700	300	B82799S513N1*

* Suitable for suppression of asymmetrical and symmetrical interference