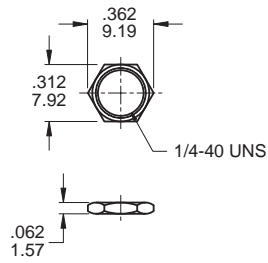


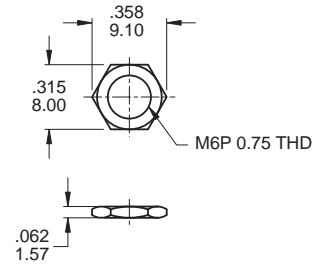
Additional Hardware Information

MOUNTING NUTS

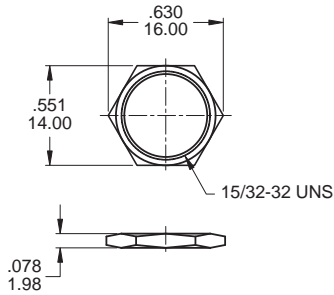
MNU-1M01A



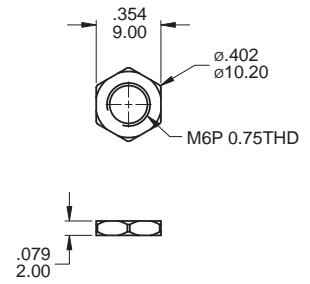
MNU-1M04



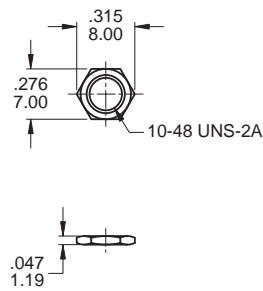
MNU-1M07



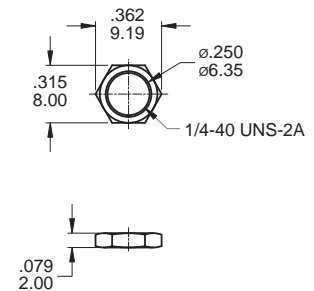
MNU-1M41



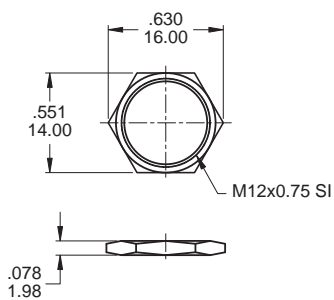
MNU-2M01



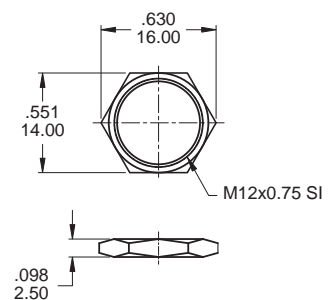
MNU-7M01



MNU-PA01

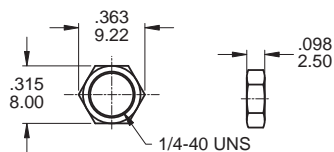


MNU-PA03

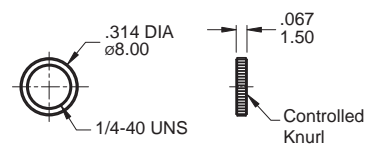


DRESS NUTS

MNU-1M17



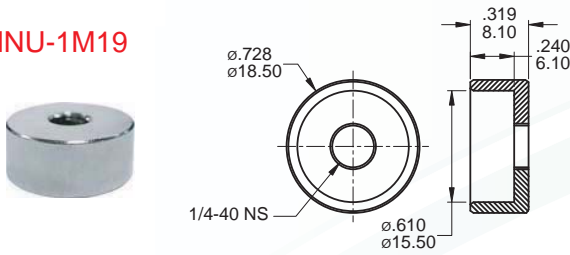
MNU-1M18



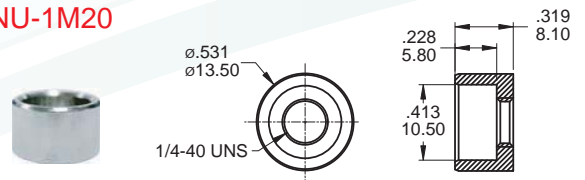
Additional Hardware Information

HARDWARE

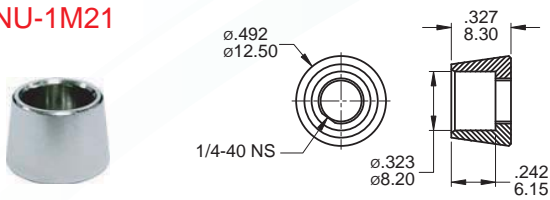
MNU-1M19



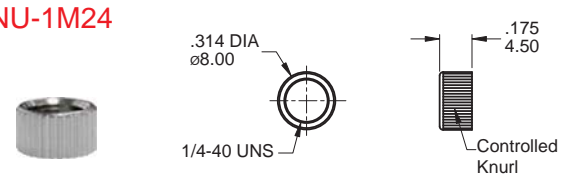
MNU-1M20



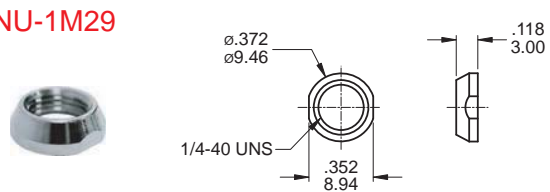
MNU-1M21



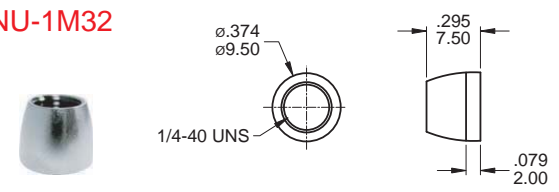
MNU-1M24



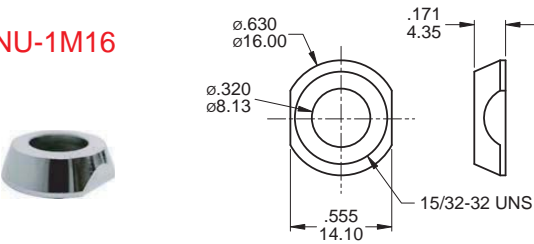
MNU-1M29



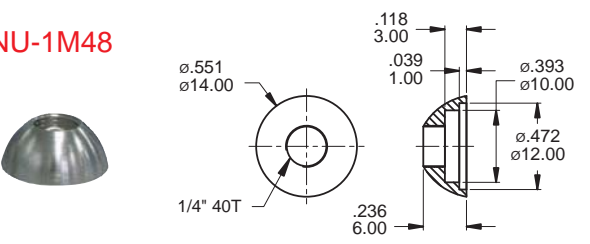
MNU-1M32



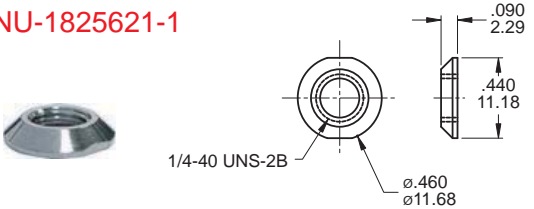
MNU-1M16



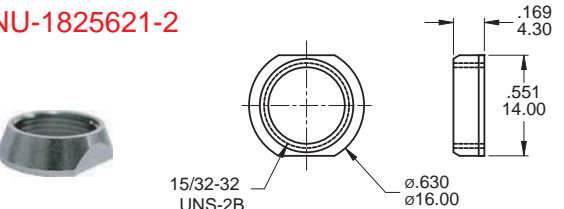
MNU-1M48



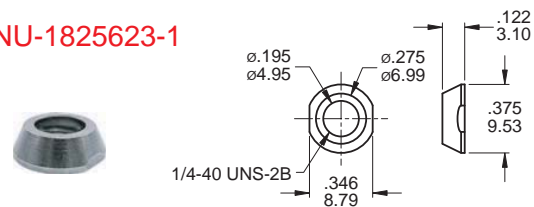
MNU-1825621-1



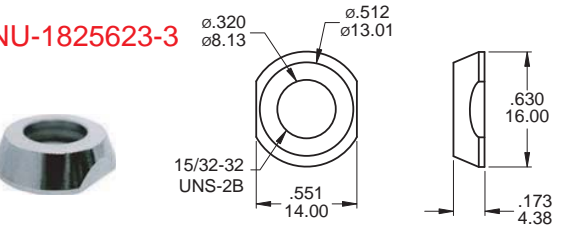
MNU-1825621-2



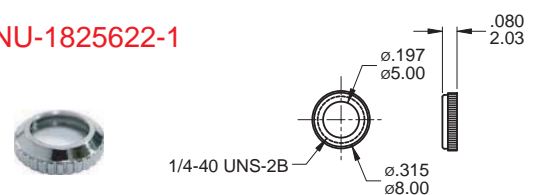
MNU-1825623-1



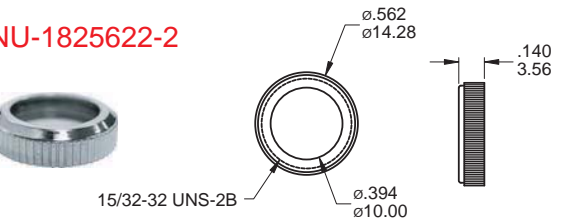
MNU-1825623-3



MNU-1825622-1



MNU-1825622-2

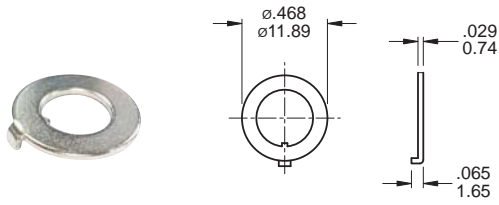


Additional Hardware Information

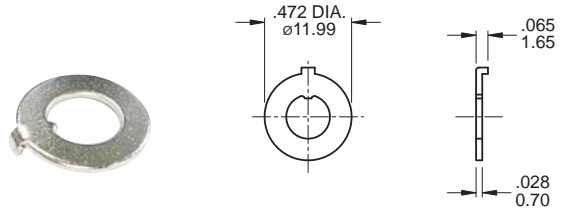
Additional Hardware Information

LOCKING RINGS

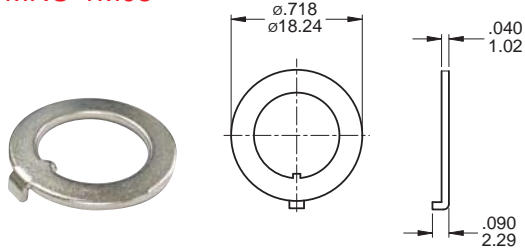
MNU-1M02



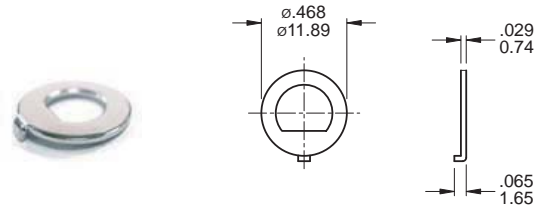
MNU-1M05



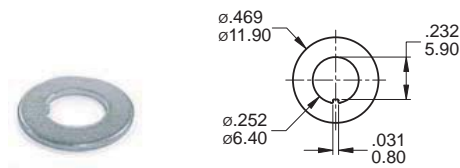
MNU-1M08



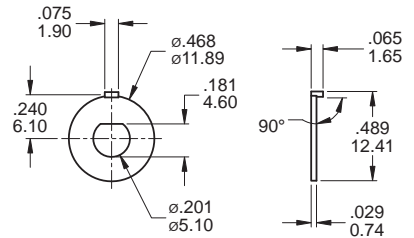
MNU-1M11



MNU-1M02P

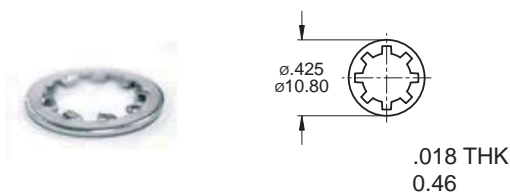


MNU-2M0B

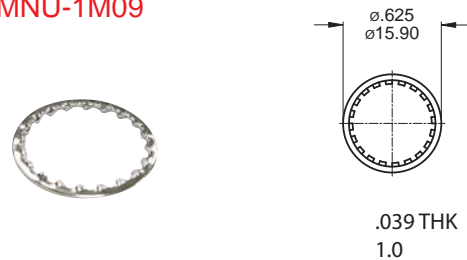


LOCKWASHER

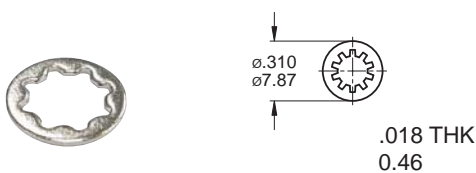
MNU-1M03



MNU-1M09



MNU-2M03



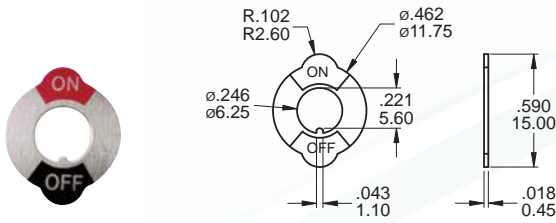
MNU-1M27



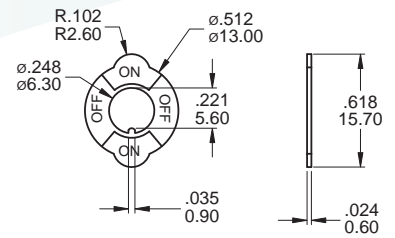
HARDWARE

NAMEPLATE

MNU-1M10

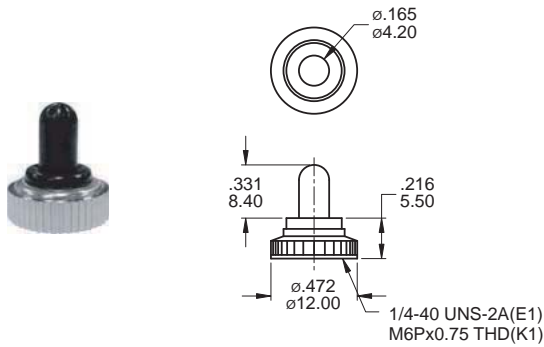


MNU-1M22

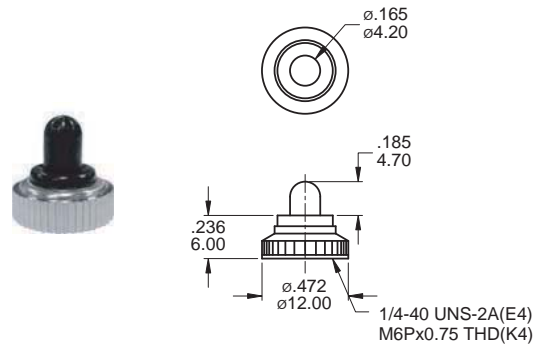


RUBBER - HOOD

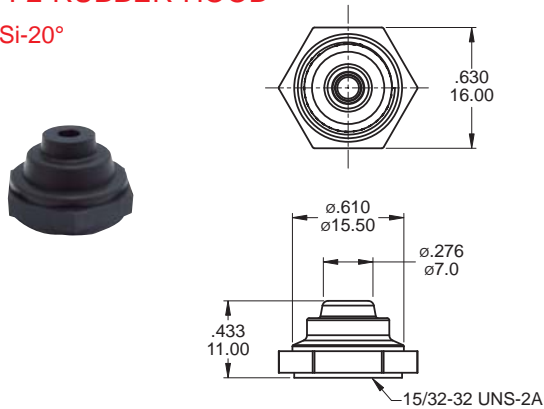
E1-RUBBER-HOOD
K1-RUBBER-HOOD



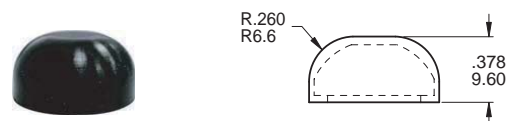
E4-RUBBER-HOOD
K4-RUBBER-HOOD



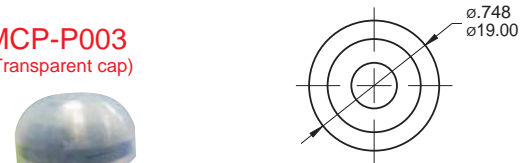
PF2-RUBBER-HOOD
*Si-20°



MCP-P003-2
(Black cap)

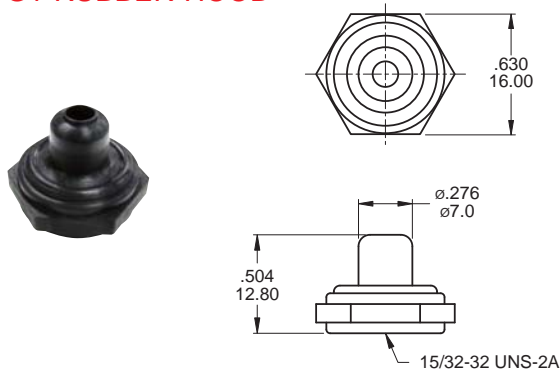


MCP-P003
(Transparent cap)

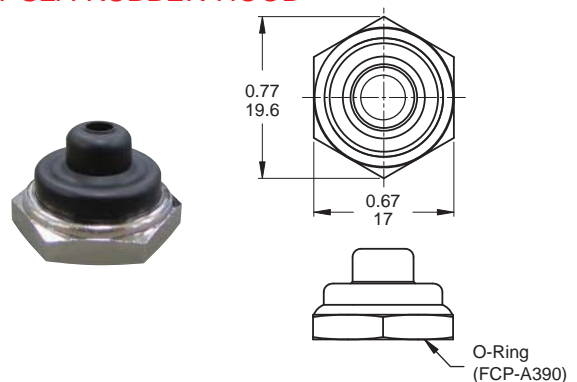


* Supplied with PA series

PG1-RUBBER-HOOD



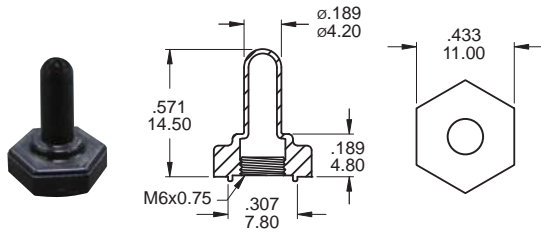
PG2A-RUBBER-HOOD



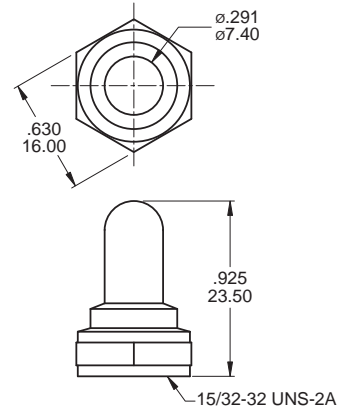
Additional Hardware Information

RUBBER - HOOD

PU2-ET-102



PU2-WB-A7A



PLAN & MEMO

Area with horizontal dashed lines for notes.