

SPECIFICATIONS

ELECTRICAL

MAXIMUM POWER: 3.5 VA.
MIN./MAX. VOLTAGE: 20 mV - 50 VDC.
MIN./MAX. CURRENT: 0.01mA - 250 mA.
INSULATION RESISTANCE: $\geq 10^9 \Omega$.
CONTACT RESISTANCE: $\geq 50 \text{ m}\Omega$.
DIELECTRIC STRENGTH: $\geq 250 \text{ Vrms}$.

MECHANICAL

OPERATING FORCE: 2.5 N at Full Travel.
SWITCHING TRAVEL: .130" (2.95mm).
LATCH TRAVEL: .131" (3.3mm).
FULL TRAVEL: .200" (5.1mm).

OPERATING ENVIRONMENT

OPERATING TEMPERATURE: -30°C TO 85°C.
STORAGE TEMPERATURE: -30°C TO 85°C.
RELATIVE HUMIDITY: 90% R.H. @80°C.
OPERATING LIFE: 30,000 Cycles.
VIBRATION: Per EIA 186-E Methods 7 & 8.
MECHANICAL SHOCK: Per EIA 186-E Methods 12.

PROCESS ENVIRONMENT

SOLDERABILITY: According to Mil STD 202F Method 208D or EIA RS-186E Method 9.
LEAD FREE PROCESS COMPATIBLE: 260°C peak, 10 seconds Max. above 250°C.

MATERIALS

FIXED CONTACTS AND TERMINALS:

Stainless steel, silver plated with gold flash (STD.)

MOVABLE CONTACTS:

Copper alloy, silver plated with gold flash (STD.).

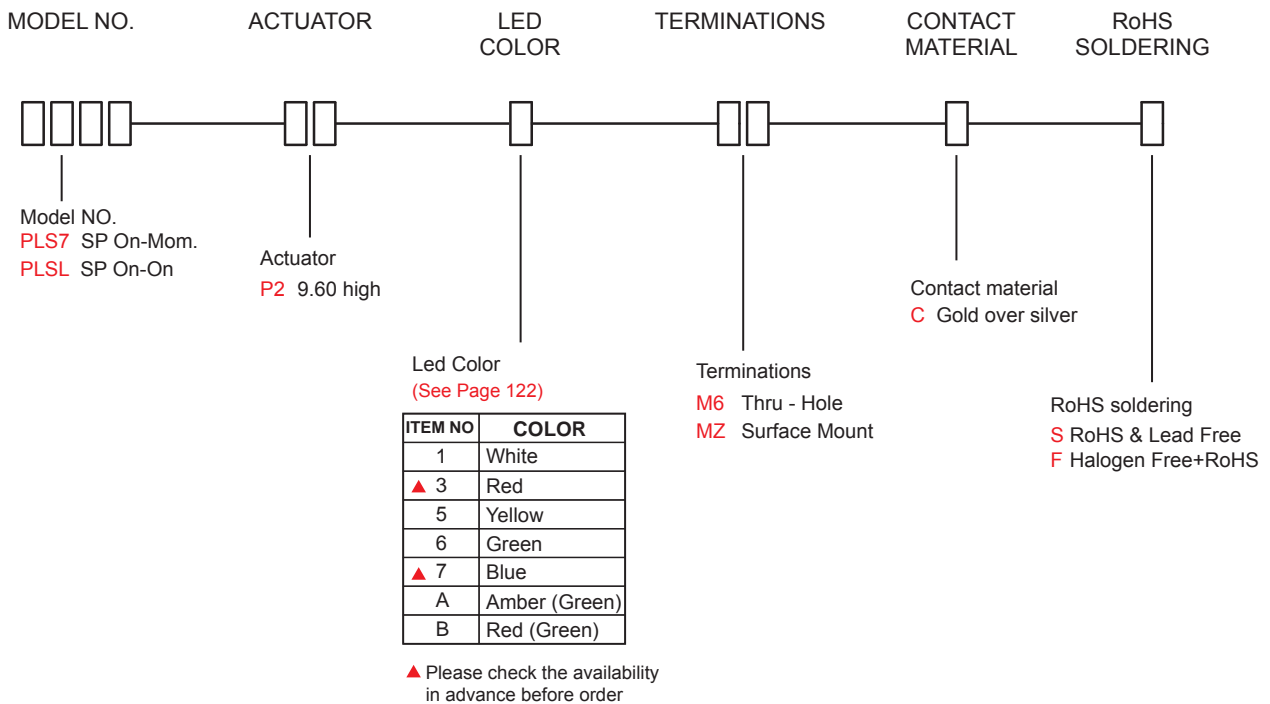
ACTUATOR: Glass filled LCP (UL94V-0).

BASE: Glass filled LCP (UL94V-0).

COVER: Stainless steel.

PL Pushbutton Switches

HOW TO ORDER

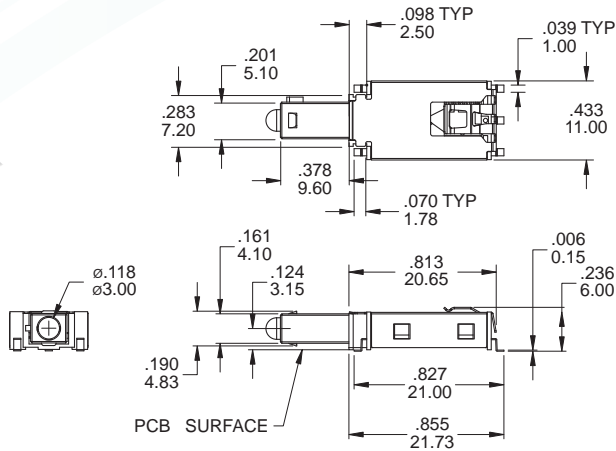


SWITCH FUNCTION

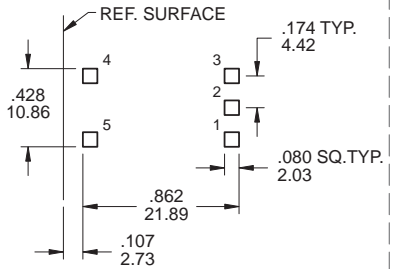
NO. POLES	MODEL NO.	SWITCH FUNCTION		CONNECTED TERMINALS		
		POS.1	POS.2	POS.1	POS.2	SCHMATIC
SP	PLS7	ON	ON(MOM)	3-4	2-3	
SP	PLSL	ON	ON	3-4	2-3	

MOM=MOMENTARY

MZ (Lock)



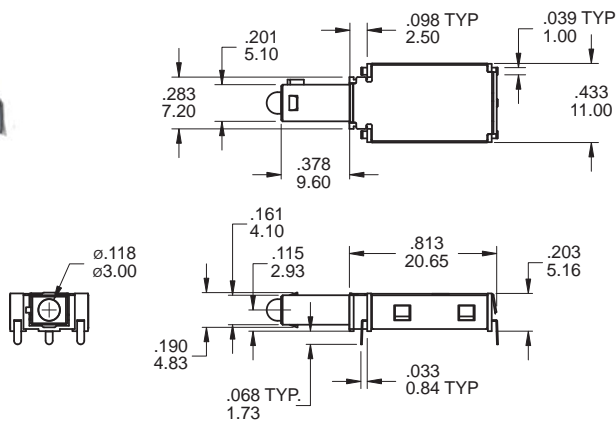
P.C. MOUNTING



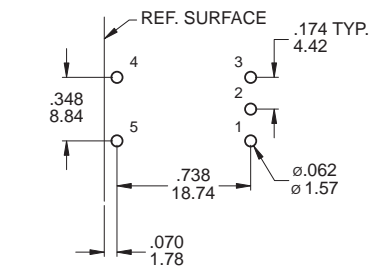
SPDT

Part No. Shown : PLSLP2XMZCS

M6



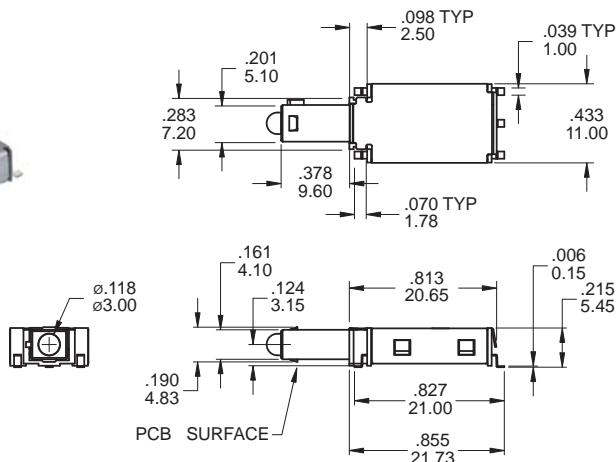
P.C. MOUNTING



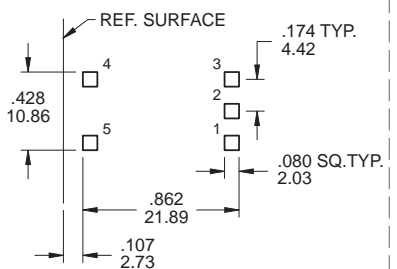
SPDT

Part No. Shown : PLS7P2XM6CS

MZ



P.C. MOUNTING

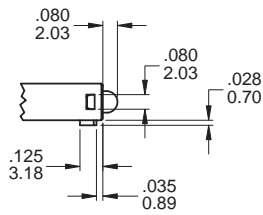


SPDT

Part No. Shown : PLS7P2XMZCS

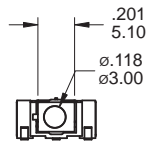
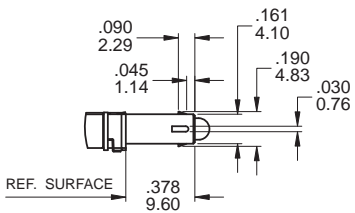
ACTUATOR OPTIONS

P2X WITHOUT WINDOW AND SNAP FEATURE TO ACCEPT CUSTOM CAP

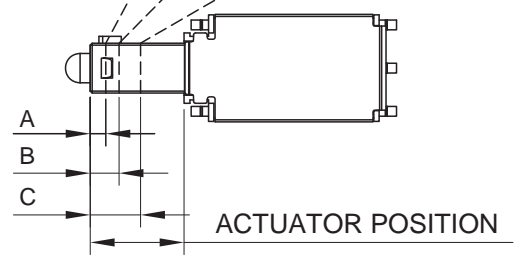
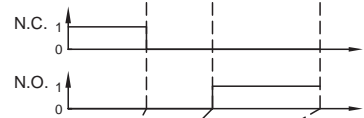
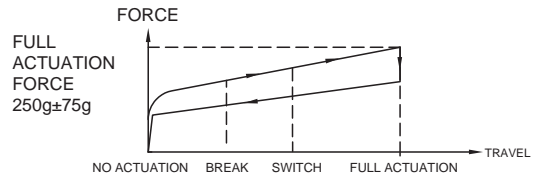


X = LED COLOR

- 1 White
- 3 Red
- 5 Yellow
- 6 Green
- 7 Blue
- A Amber (Green)
- B Red (Green)

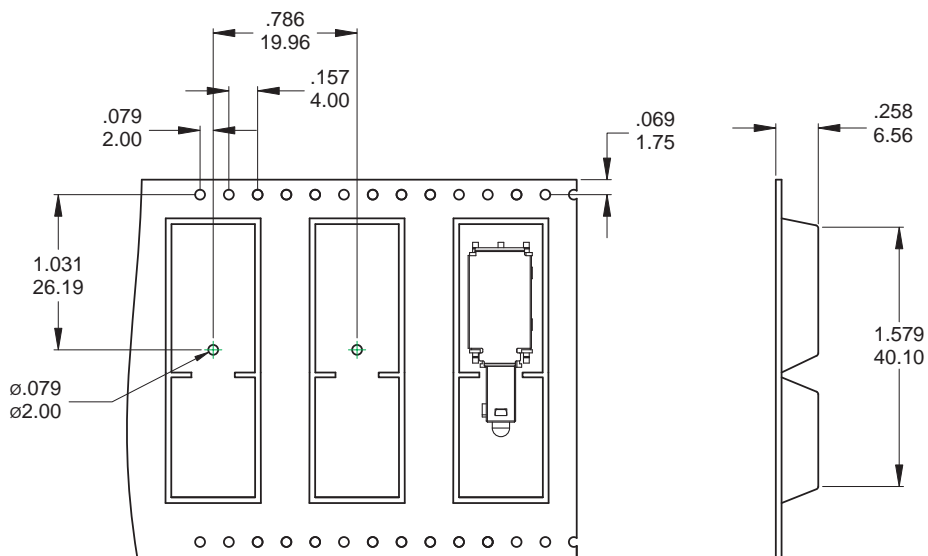


FORCE AND TRAVEL DIAGRAM



ACTUATOR POSITION		
A	BREAK	.039±.020 1.0±0.5mm
B	SWITCH	.069±.020 1.75±0.5mm
C	FULL ACTUATION	.203±.020 5.15±0.5mm

TAPR & REEL



REEL INFORMATION	
QUANTITY PER REEL	450 / pcs

PL Pushbutton Switches

Lens Appearance	Color	Electro-optical Data(AT 20mA)				Peak wavelength	Viewing Angle 2θ 1/2 (deg)	
		Vf (V)		Iv (mcd)				
		Typ.	Max.	Min..	Typ.			
Water Clear	White	3.3	3.8	4900	10000		30°	
	Red	2.35	2.8	1	3	630	50°	
	Yellow	2.1	2.6	20	35	588	65°	
	Green	2.2	2.6	50	60	570	60°	
	Blue	3.5	3.8	210	550	470	75°	
	Amber (Green)	A	2.1	2.5	19	28	588	55°
		G	2.2	2.6	9	19	570	50°
	Red (Green)	R	2.35	2.8		1	630	
G		2.2	2.6	6	13	570		



PL Right Angle Illuminated Latching Pushbutton Switches

SOLDERING PROCESSES

WAVE SOLDERING: Recommended Soldering Temperature : 260 ± 5°C
 Duration of Solder Immersion: Max 5 sec.
 (PCB is 1.6mm in thickness)

SOLDERING : Vapor phase & IR-reflow soldering can be applied.

